



**PREMIER BUILDING  
PRODUCTS Ltd**

# **PBP FIXING INSTRUCTIONS - SITE GUIDE - MID RIDGE**

GUIDE

2021

[PREMIERBUILDINGPRODUCTS.CO.UK](http://PREMIERBUILDINGPRODUCTS.CO.UK)

+44 (0)1428 654781

[enquiries@pbp.uk.com](mailto:enquiries@pbp.uk.com)

1. Your chimney will arrive on site strapped down on a pallet and screwed to the timbers. Once unwrapped, pointing and haunching can be completed, it is optional whether you would prefer to do this on the ground or in situ. Please note that the lifting eyes will need filling and pointed once lifted into position.



### Fixing Instructions.

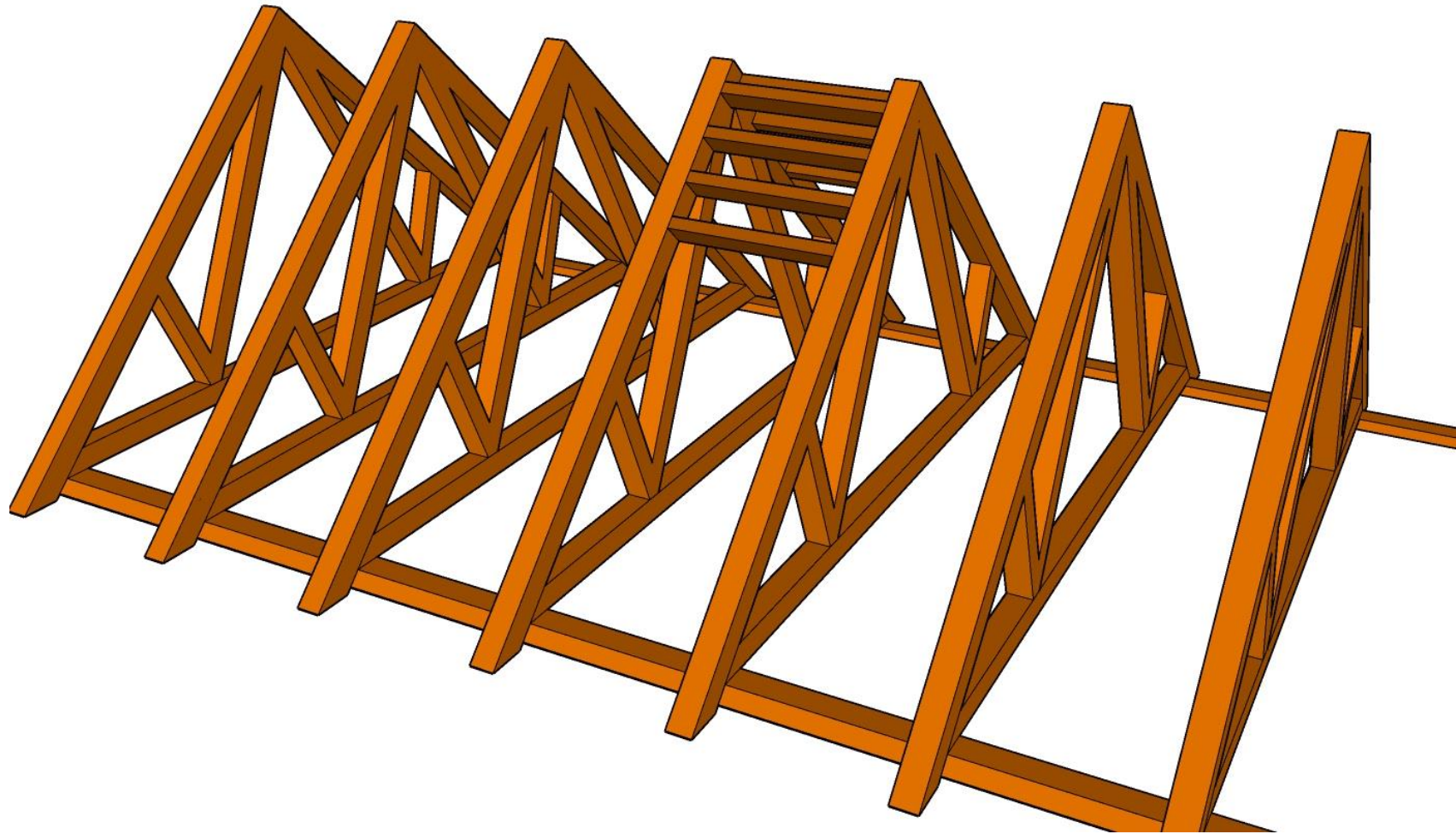


### **Notes:-**

Fixing Instructions to be read in conjunction with standard Method Statement. All drawings are issued for comment and approval and responsibility remains with the customer to check and approve all information, fixings and dimensions.

Premier Building Products Ltd  
The Gate House  
Fernhurst Business Park  
Fernhurst  
Surrey, GU27 3HB

2. Before lifting the chimney into place make a timber platform or install noggins (as shown) between main roof trusses.



**Fixing Instructions.**

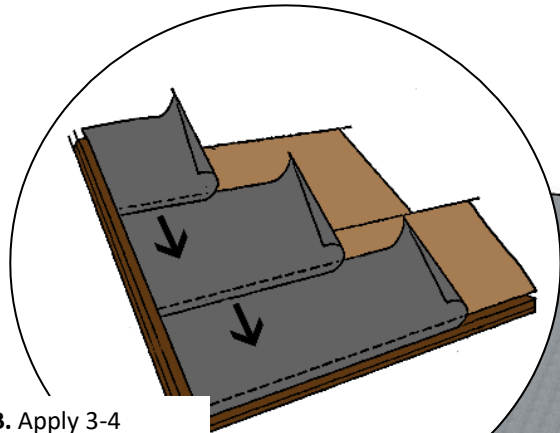


**Notes:-**

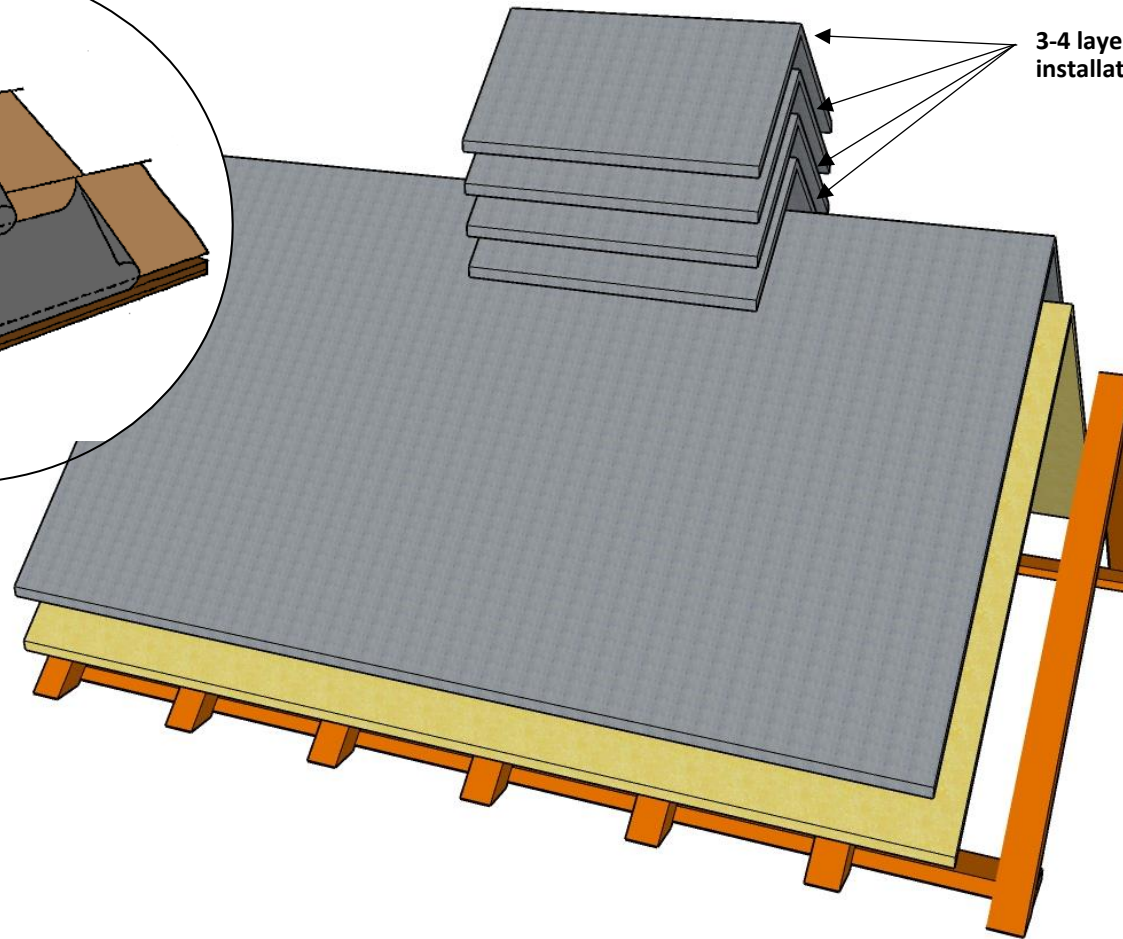
Fixing Instructions to be read in conjunction with standard Method Statement. All drawings are issued for comment and approval and responsibility remains with the customer to check and approve all information, fixings and dimensions.

Premier Building Products Ltd  
The Gate House  
Fernhurst Business Park  
Fernhurst  
Surrey, GU27 3HB

3. Before lifting the chimney into place ensure there is an extra 3-4 layers of felt lapped correctly over the main surrounding roof felt. This must be done before lifting the chimney into place.



**N.B.** Apply 3-4 layers of roof felt over the area where the chimney is located. This should be the size of the GRP x1.5 and needs to be wrapped over the main single felt on the roof.



3-4 layers of felt is imperative for installation of our stacks.



### Fixing Instructions.

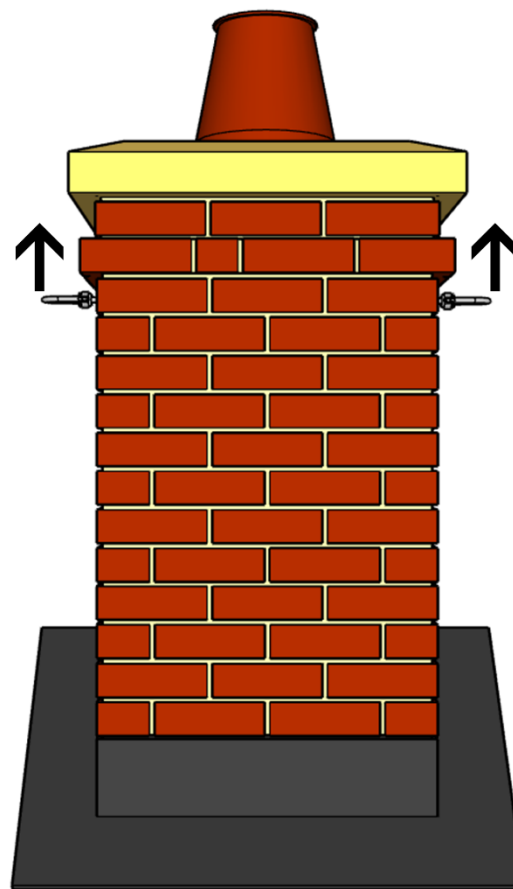
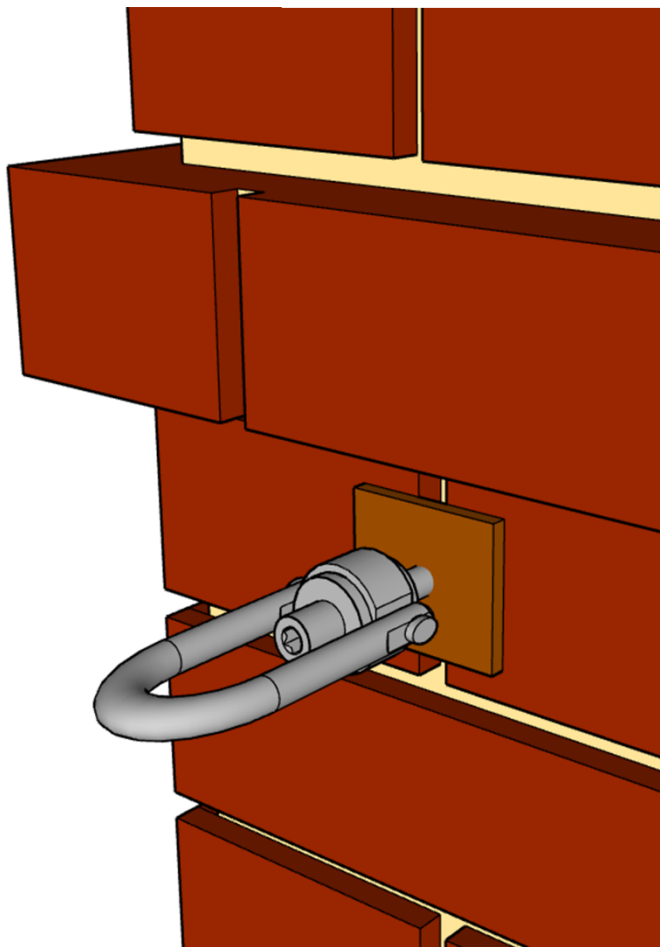


### **Notes:-**

Fixing Instructions to be read in conjunction with standard Method Statement. All drawings are issued for comment and approval and responsibility remains with the customer to check and approve all information, fixings and dimensions.

Premier Building Products Ltd  
The Gate House  
Fernhurst Business Park  
Fernhurst  
Surrey, GU27 3HB

4. The chimney is provided with a pair of steel lifting lugs (Diagram 1) with a 30mm diameter which will be pre drilled and bolted to the side of the stack. The lifting eyes will be positioned 2 or 3 courses down from the top of the brickwork. Before lifting, ensure the lifting eyes are tightened and secured. The stack should be lifted using the specified method and lowered gently into position. **N.B. Uneven lifting or lifting at angles over 30° is unsafe, do not risk lifting.**



#### Fixing Instructions.



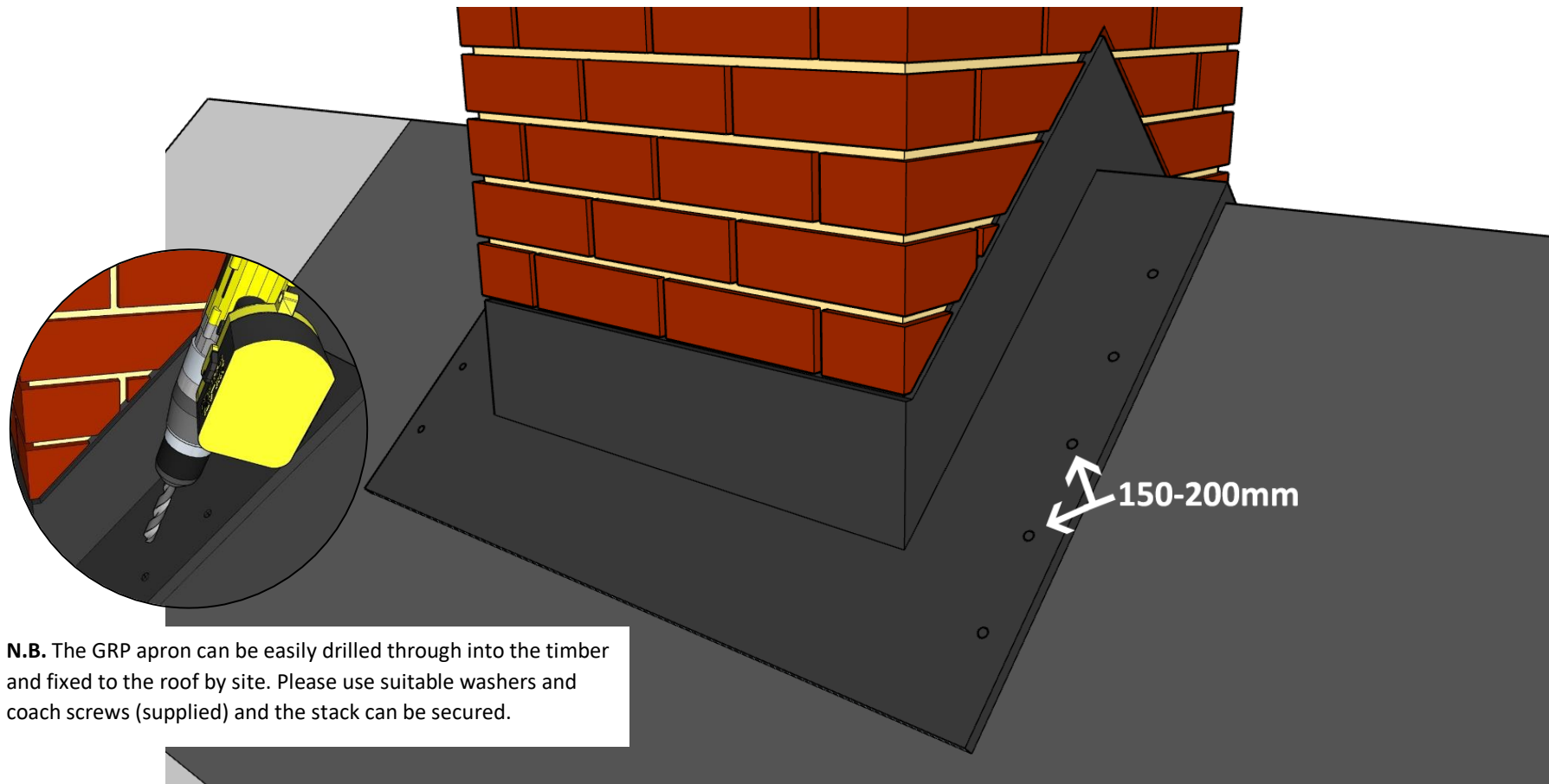
PREMIER BUILDING  
PRODUCTS Ltd

#### Notes:-

Fixing Instructions to be read in conjunction with standard Method Statement. All drawings are issued for comment and approval and responsibility remains with the customer to check and approve all information, fixings and dimensions.

Premier Building Products Ltd  
The Gate House  
Fernhurst Business Park  
Fernhurst  
Surrey, GU27 3HB

5. The position of the fixings must be positioned every 150-200mm apart (as per the diagram) using the supplied fixing kit. The fixings must be installed into a suitably designed and built platform or timber noggins between the roof trusses. **N.B. The design of this is your responsibility and if your unsure you should check with the roof truss manufacturer and structural engineer.**



**N.B.** The GRP apron can be easily drilled through into the timber and fixed to the roof by site. Please use suitable washers and coach screws (supplied) and the stack can be secured.

### Fixing Instructions.

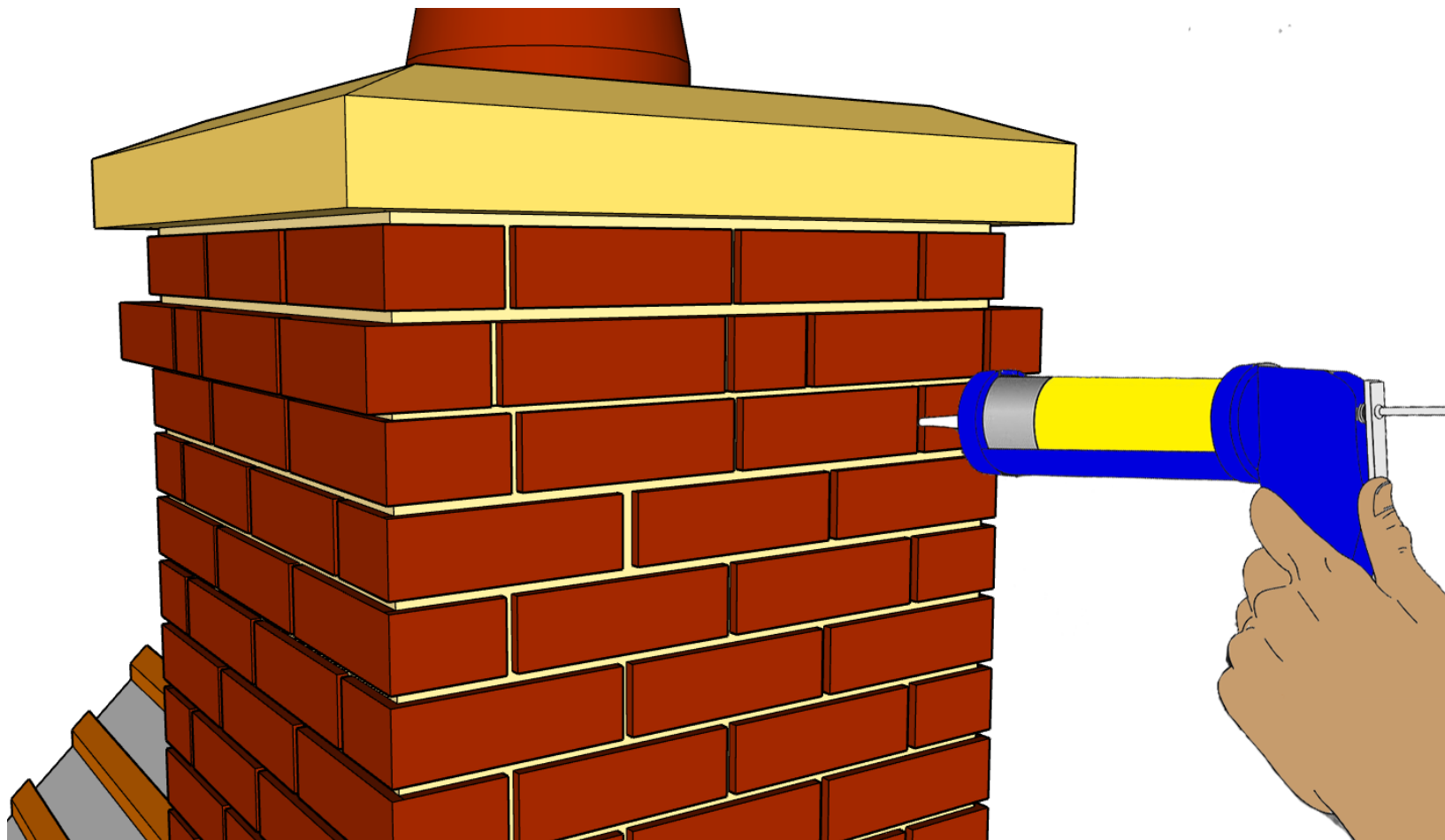


### **Notes:-**

Fixing Instructions to be read in conjunction with standard Method Statement. All drawings are issued for comment and approval and responsibility remains with the customer to check and approve all information, fixings and dimensions.

Premier Building Products Ltd  
The Gate House  
Fernhurst Business Park  
Fernhurst  
Surrey, GU27 3HB

6. After the chimney has been fully fixed down into position the lifting shackles can be released from the crane and the lifting lugs unscrewed from the chimney. This will leave holes directly through the sub frame of the stack. These must be fully filled with the mastic provided before being over-pointed using matching mortar. **It is imperative that you fill the holes in. Failure to do so will result in ingress of water.**



### Fixing Instructions.

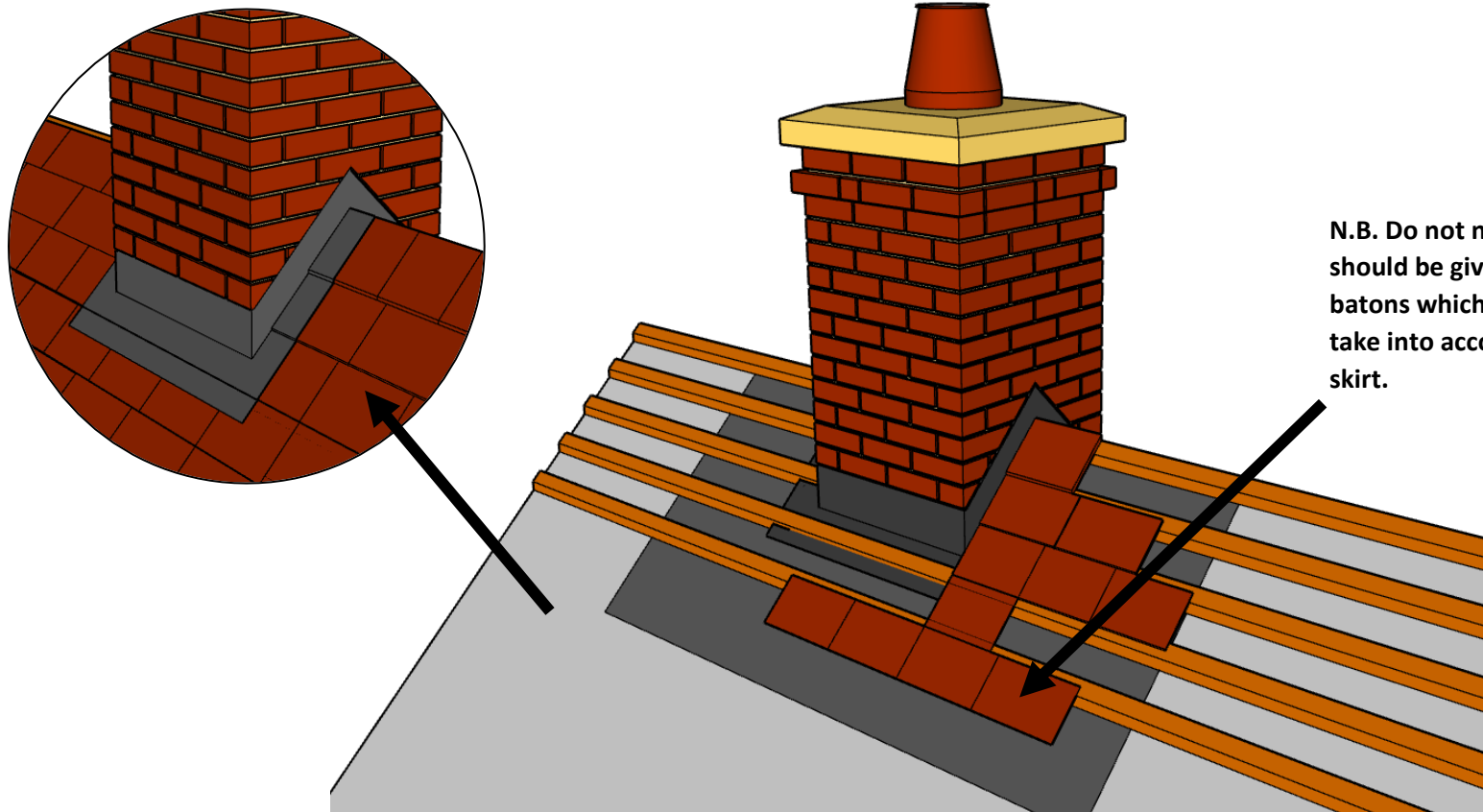


### **Notes:-**

Fixing Instructions to be read in conjunction with standard Method Statement. All drawings are issued for comment and approval and responsibility remains with the customer to check and approve all information, fixings and dimensions.

Premier Building Products Ltd  
The Gate House  
Fernhurst Business Park  
Fernhurst  
Surrey, GU27 3HB

7. Lead around the base of the chimney is usually done simultaneously with the tiling. Batten and tiles should be fitted as required and are installed over the fixing skirt. Once fully tiled tuck the lead under the channel and into a bed of neutral curing lead mastic (Illustrated on the next page). **N.B. We also recommend the use of Borra clips to secure the lead before further application of lead mastic to ensure a complete seal is provided between the underside of the flashing channel and the top of the lead work.**



### Fixing Instructions.



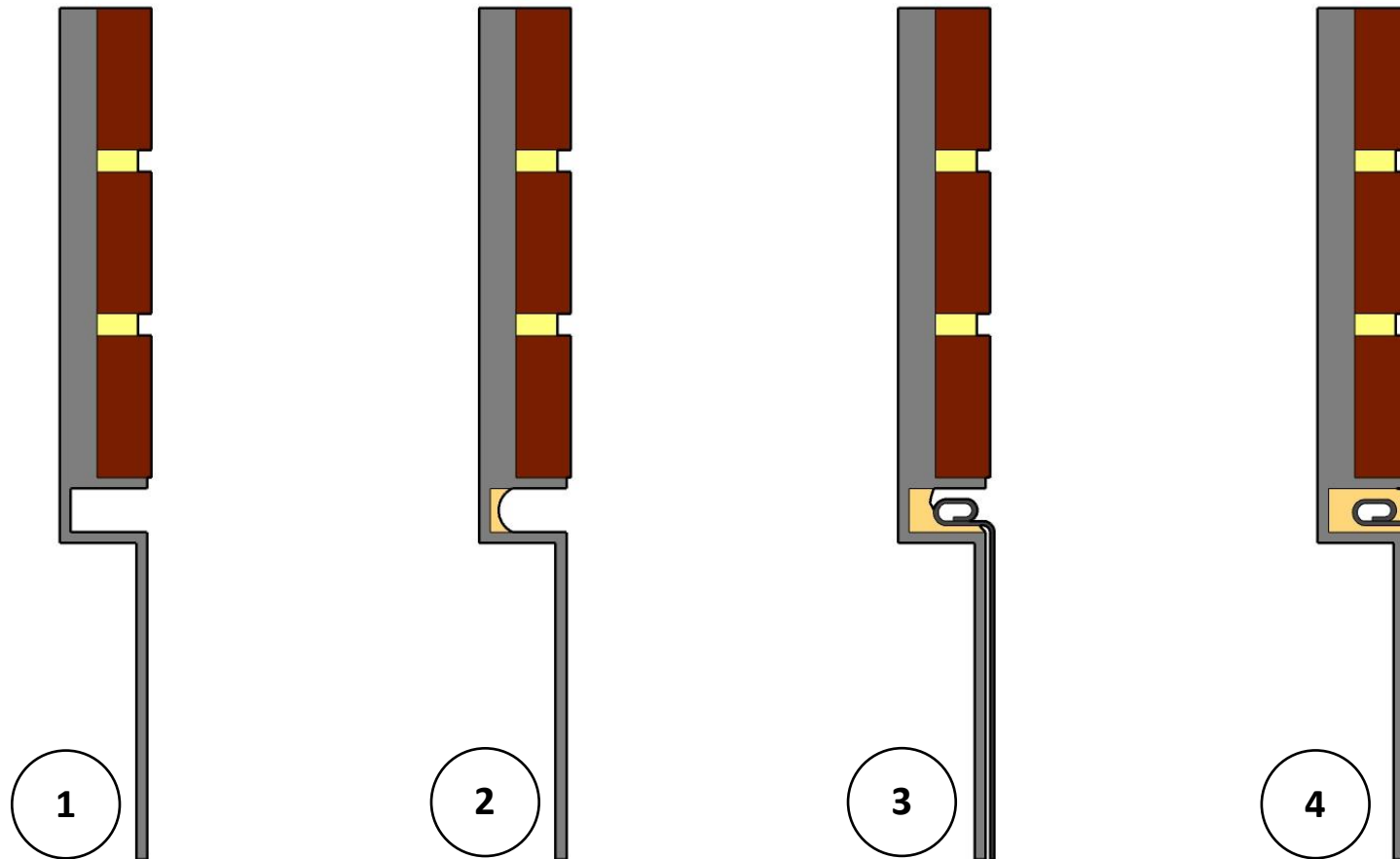
### **Notes:-**

Fixing Instructions to be read in conjunction with standard Method Statement. All drawings are issued for comment and approval and responsibility remains with the customer to check and approve all information, fixings and dimensions.

Premier Building Products Ltd  
The Gate House  
Fernhurst Business Park  
Fernhurst  
Surrey, GU27 3HB



8. Using sealant (Diagram 2), the lead flashing channel **must** be sealed all the way around the chimney before fitting the lead as shown (diagram 3). The lead flashing should be fitted according to the Lead Sheet Association then sealed all the way around again with sealant (diagram 4). **N.B.** Sealant is provided as part of the fixing kit.



### Fixing Instructions.



### Notes:-

Fixing Instructions to be read in conjunction with standard Method Statement. All drawings are issued for comment and approval and responsibility remains with the customer to check and approve all information, fixings and dimensions.

Premier Building Products Ltd  
The Gate House  
Fernhurst Business Park  
Fernhurst  
Surrey, GU27 3HB