



**PREMIER BUILDING  
PRODUCTS Ltd**

# **PBP STANDARD CILLS 2021**

GUIDE

2021

[PREMIERBUILDINGPRODUCTS.CO.UK](http://PREMIERBUILDINGPRODUCTS.CO.UK)

+44 (0)1428 654781

[enquiries@pbp.uk.com](mailto:enquiries@pbp.uk.com)



Premier Building Products Ltd  
 The Gate House, Fernhurst Business Park, Fernhurst, Haslemere, Surrey GU27 3HB  
 Tel: 01428 654781 Fax: 01428 661987  
 www.premierbuildingproducts.co.uk

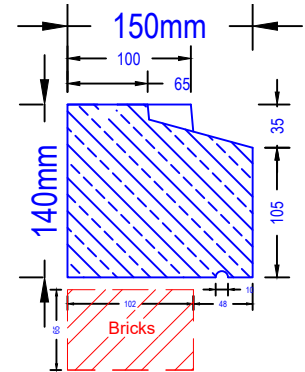
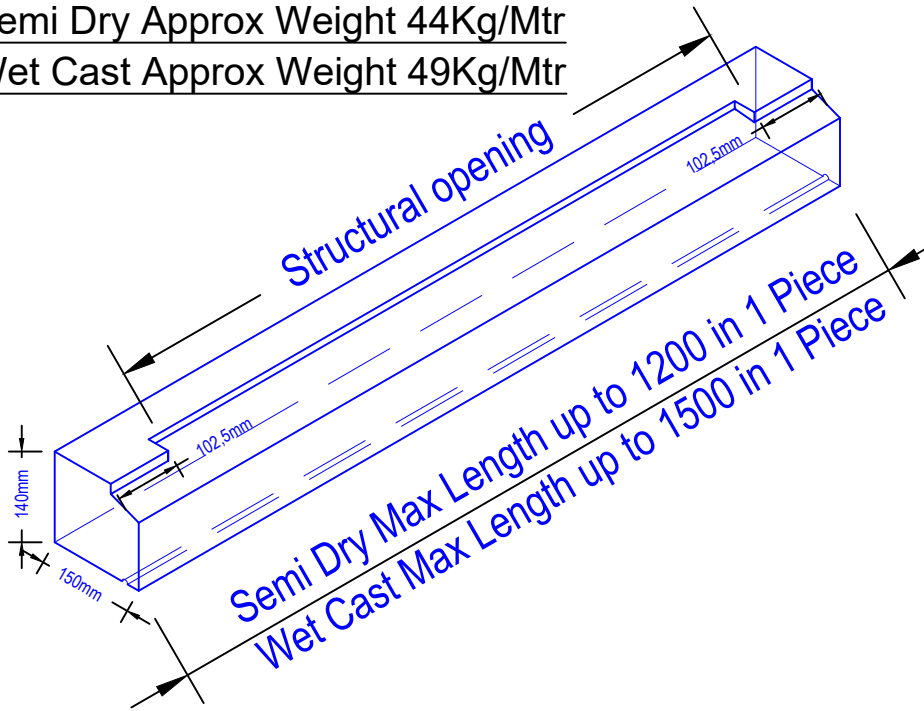
# Stooled Cill

## Stooled Cill

150 x 140mm Ref C1

Semi Dry Approx Weight 44Kg/Mtr

Wet Cast Approx Weight 49Kg/Mtr



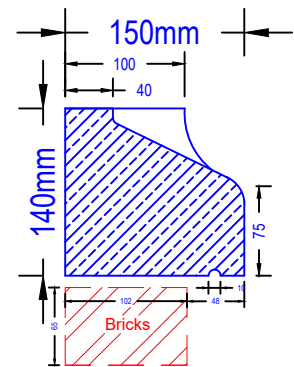
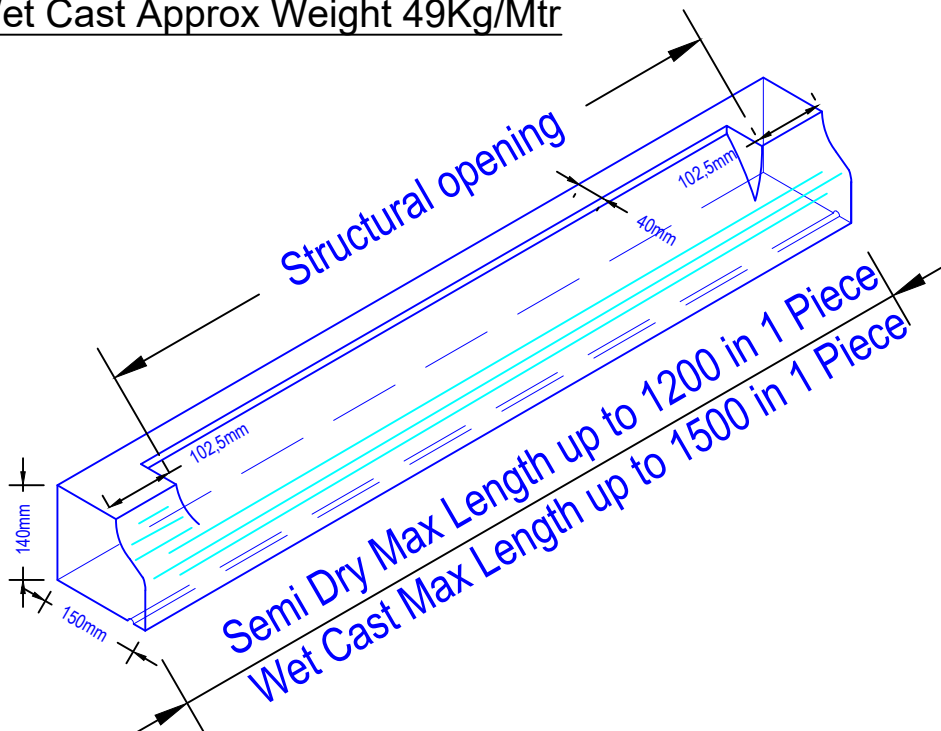
Cill Section Type C1

## Bullnose Cill

150 x 140mm Ref C2

Semi Dry Approx Weight 44Kg/Mtr

Wet Cast Approx Weight 49Kg/Mtr



Cill Section Type C2

\* Other designs can be made to suit customers requirements



Premier Building Products Ltd

The Gate House, Fernhurst Business Park, Fernhurst, Haslemere, Surrey GU27 3HB

Tel: 01428 654781 Fax: 01428 661987  
www.premierbuildingproducts.co.uk

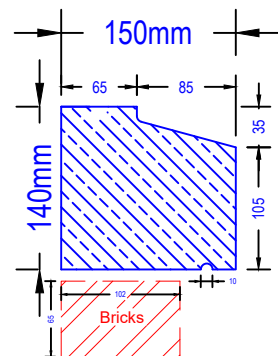
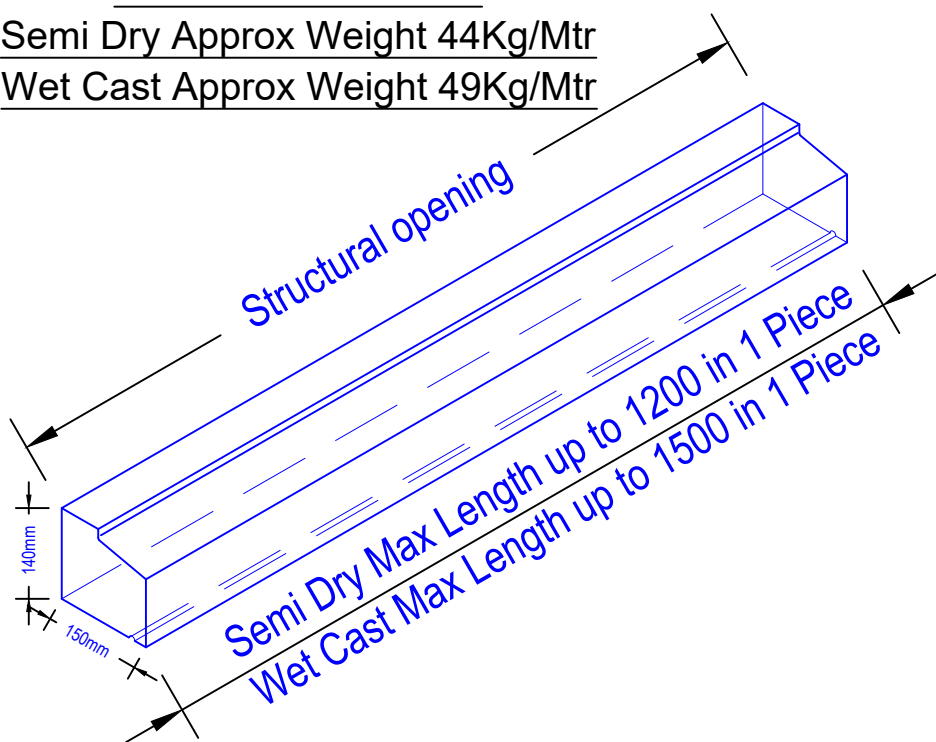
# Stooled Cill

## Slip Cill

150 x 140mm Ref C3

Semi Dry Approx Weight 44Kg/Mtr

Wet Cast Approx Weight 49Kg/Mtr



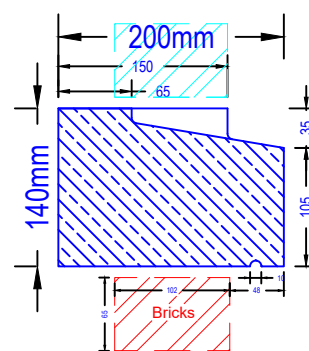
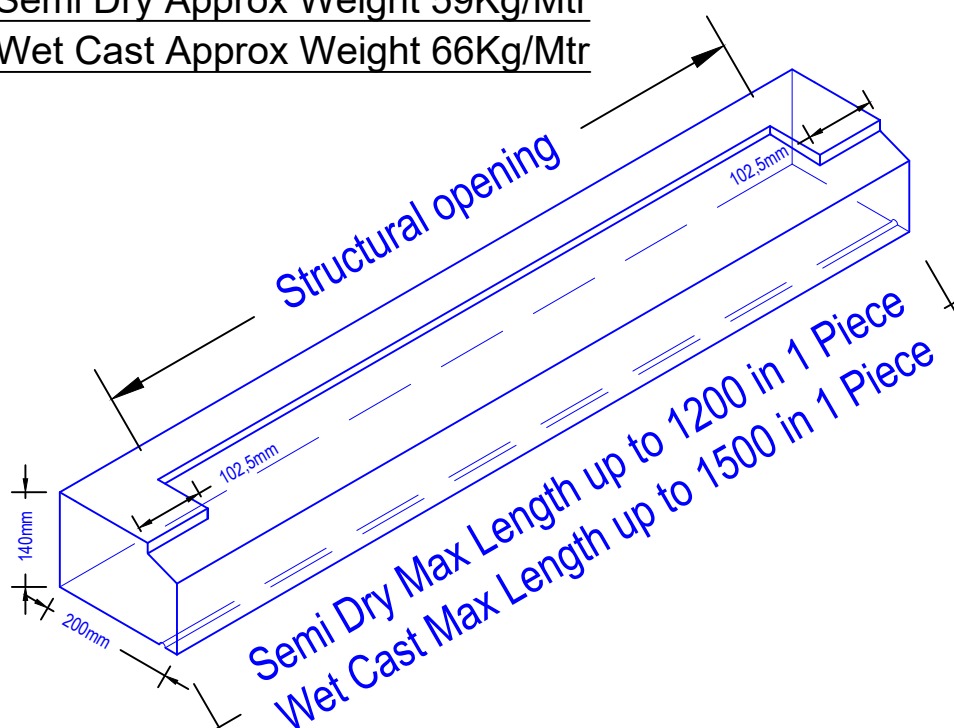
Cill Slip Section Type C3

## Stooled Cill

150 x 140mm Ref C4

Semi Dry Approx Weight 59Kg/Mtr

Wet Cast Approx Weight 66Kg/Mtr



Cill Section Type C4

\* Other designs can be made to suit customers requirements



Premier Building Products Ltd

The Gate House, Fernhurst Business  
Park, Fernhurst, Haslemere, Surrey GU27  
3HB

Tel: 01428 654781 Fax: 01428 661987  
www.premierbuildingproducts.co.uk

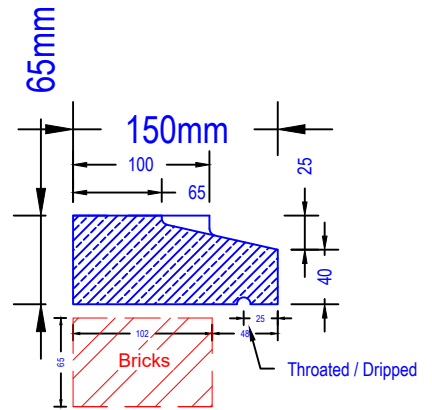
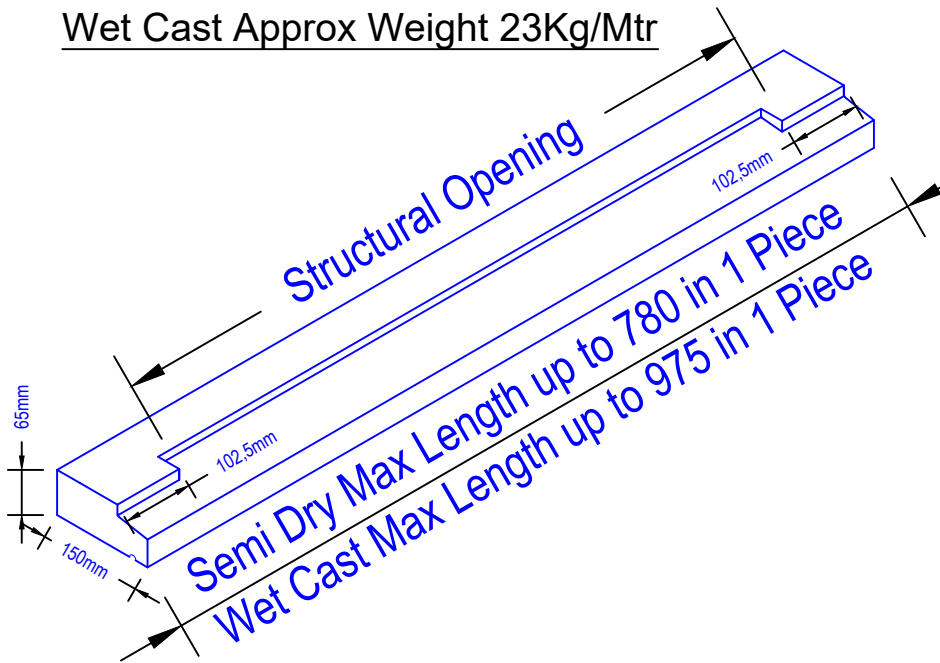
# Stooled Cill

## Stooled Cill

150 x 65mm Ref C1/65

Semi Dry Approx Weight 20Kg/Mtr

Wet Cast Approx Weight 23Kg/Mtr



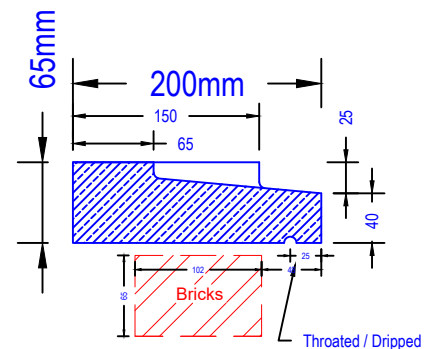
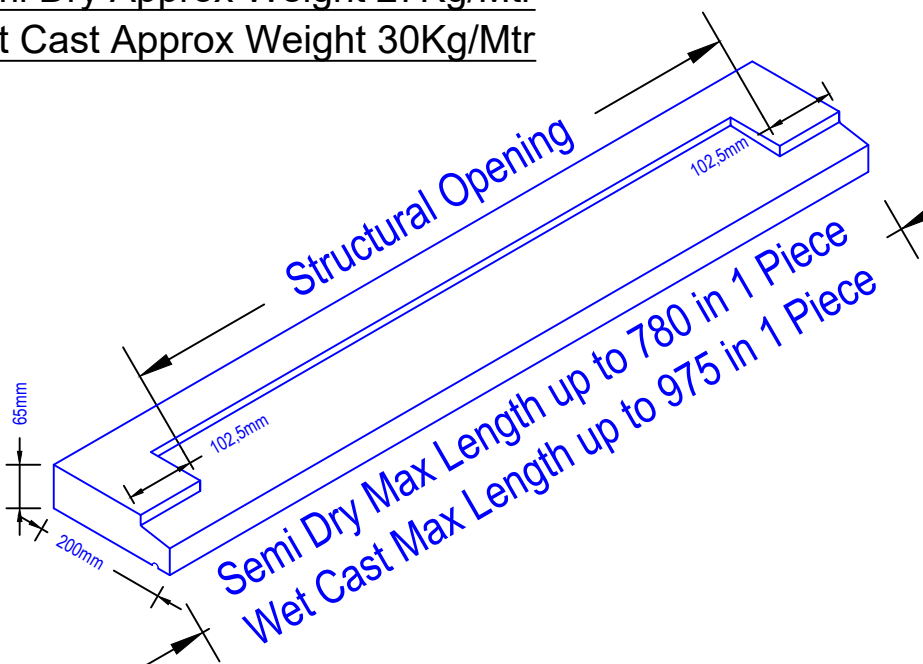
Cill Section  
Type C1/65

## Stooled Cill

200 x 65mm Ref C4/65

Semi Dry Approx Weight 27Kg/Mtr

Wet Cast Approx Weight 30Kg/Mtr



Cill Section  
Type C4/65

\* Other designs can be made to suit customers requirements



Premier Building Products Ltd

The Gate House, Fernhurst Business  
Park, Fernhurst, Haslemere, Surrey GU27  
3HB

Tel: 01428 654781 Fax: 01428 661987  
www.premierbuildingproducts.co.uk

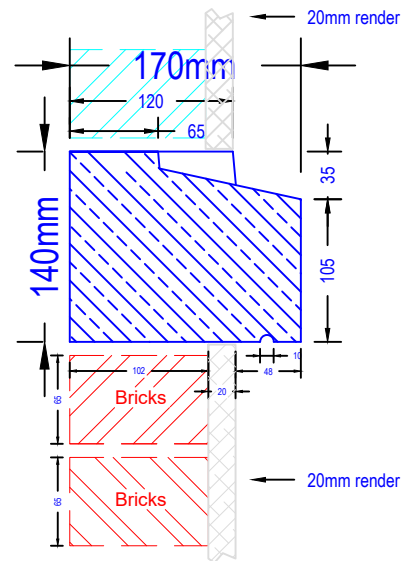
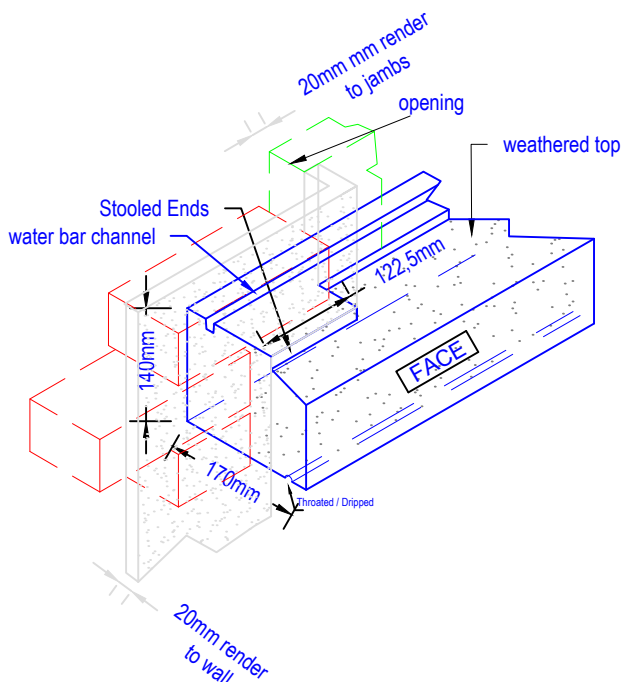
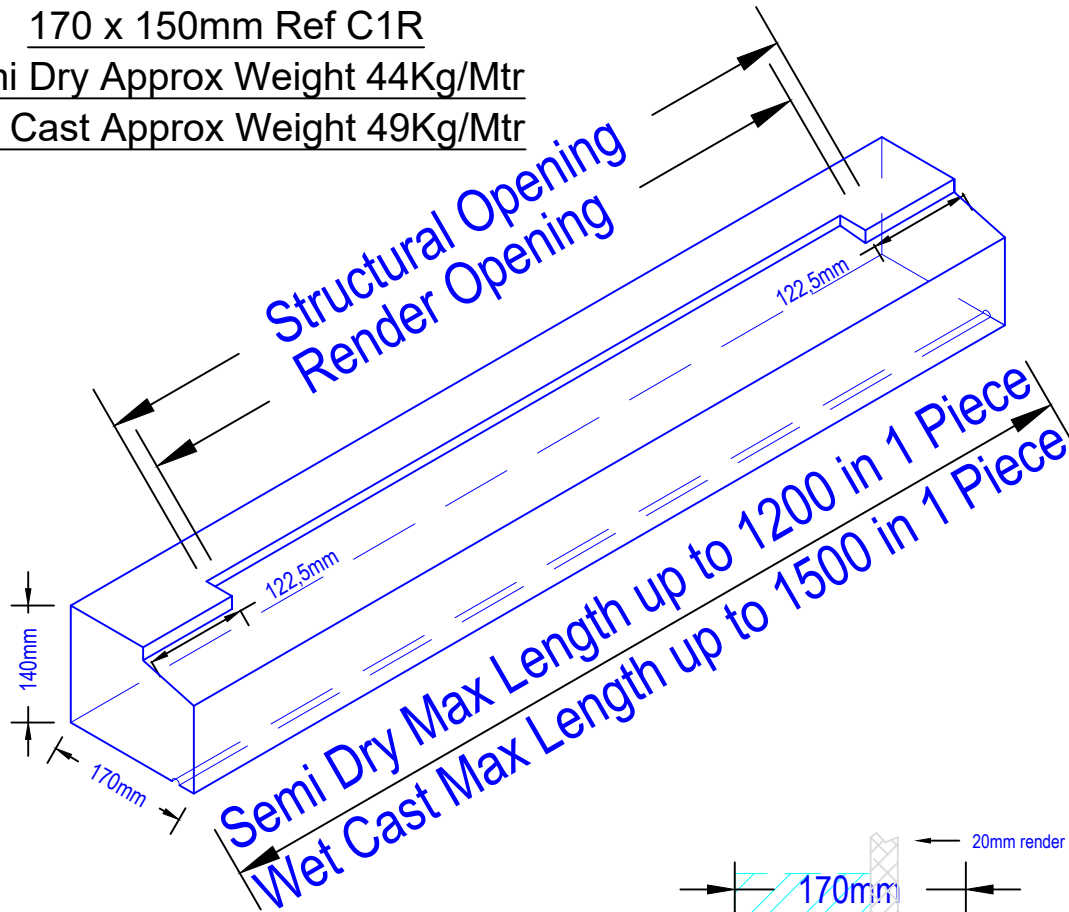
# Cills to Suit Render (C1R)

## Render Stooled Cill

170 x 150mm Ref C1R

Semi Dry Approx Weight 44Kg/Mtr

Wet Cast Approx Weight 49Kg/Mtr



## Cill Section With Render walls Type C1R

\* Other designs can be made to suit customers requirements