



**PREMIER BUILDING  
PRODUCTS Ltd**

# **PBP STDMONO**

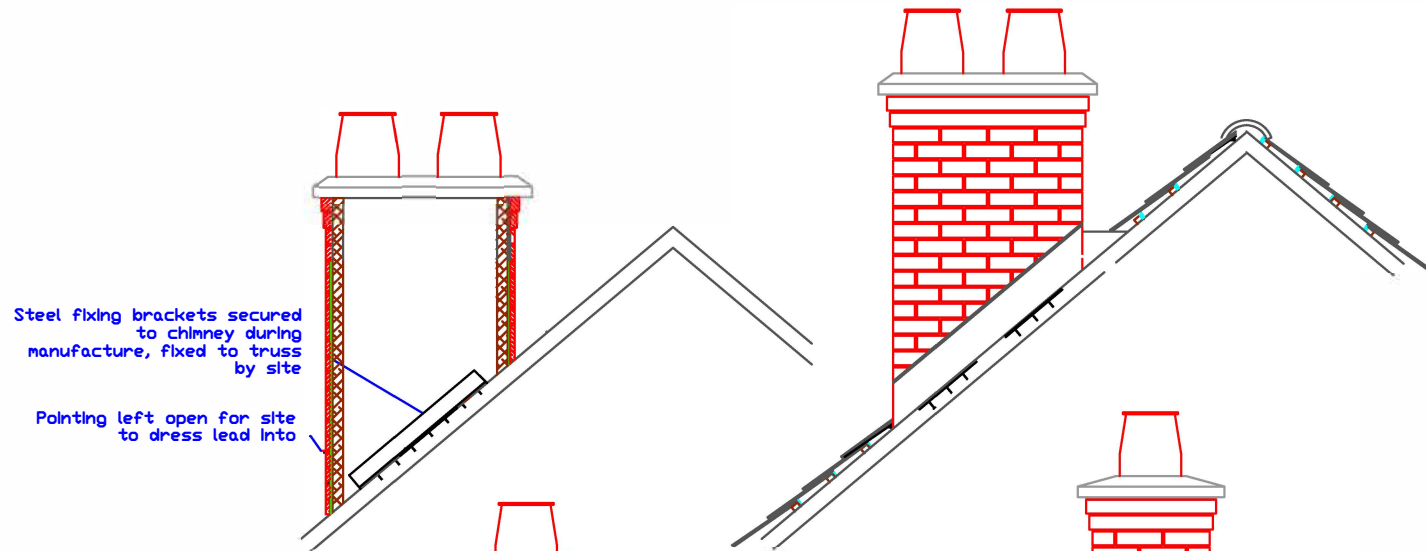
GUIDE

2021

[PREMIERBUILDINGPRODUCTS.CO.UK](http://PREMIERBUILDINGPRODUCTS.CO.UK)

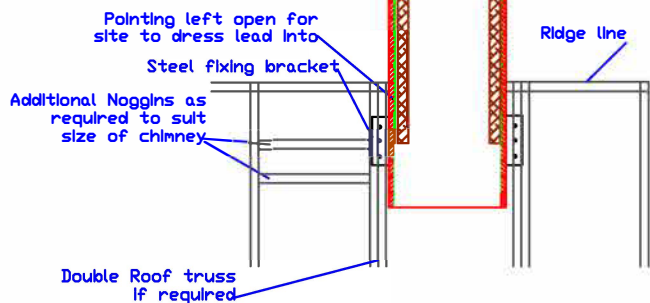
+44 (0)1428 654781

[enquiries@pbp.uk.com](mailto:enquiries@pbp.uk.com)



Steel fixing brackets secured to chimney during manufacture, fixed to truss by site

Pointing left open for site to dress lead into



Pointing left open for site to dress lead into

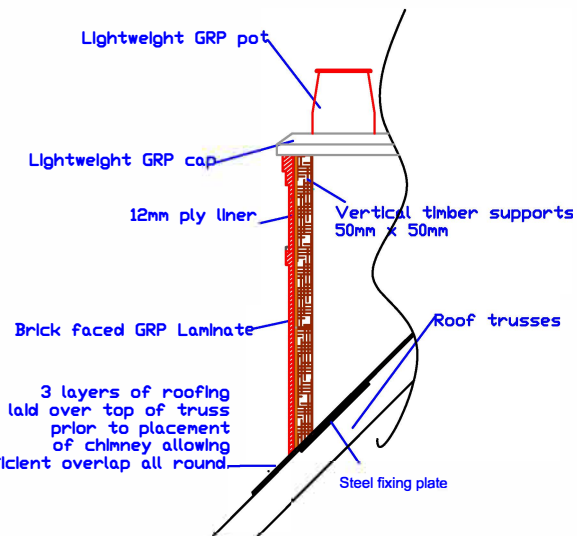
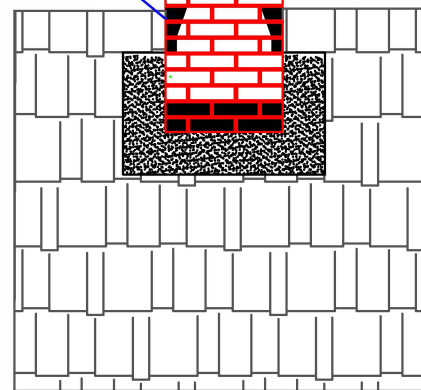
Steel fixing bracket

Additional Noggins as required to suit size of chimney

Double Roof truss if required

Ridge line

Pointing left open for site to dress lead into



Lightweight GRP pot

Lightweight GRP cap

12mm ply liner

Vertical timber supports 50mm x 50mm

Brick faced GRP Laminate

Roof trusses

3 layers of roofing felt laid over top of truss prior to placement of chimney allowing sufficient overlap all round

Steel fixing plate

Notes:-

1. Roof pitch and brick type to be confirmed.
2. Chimneys supplied unpointed.
3. Lead flashing fixed by site to Lead Sheet Association Working Standards.
4. 3 Layers of roofing felt to be fitted under chimney.
5. To be read in conjunction with standard method statement and fixing guide.



Premier Building Products Ltd  
 The Gate House  
 Fernhurst Business Park  
 Fernhurst  
 Surrey, GU27 3HB

Notes:-

Drawing to be read in conjunction with standard Method Statement. All drawings are issued for comment and approval and responsibility remains with the customer to check and approve all information, fixings and dimensions.

Customer:  
 Site:

Title:  
 Date:  
 Drawing No. std mono  
 Scale: NTS Drawn By: CTP